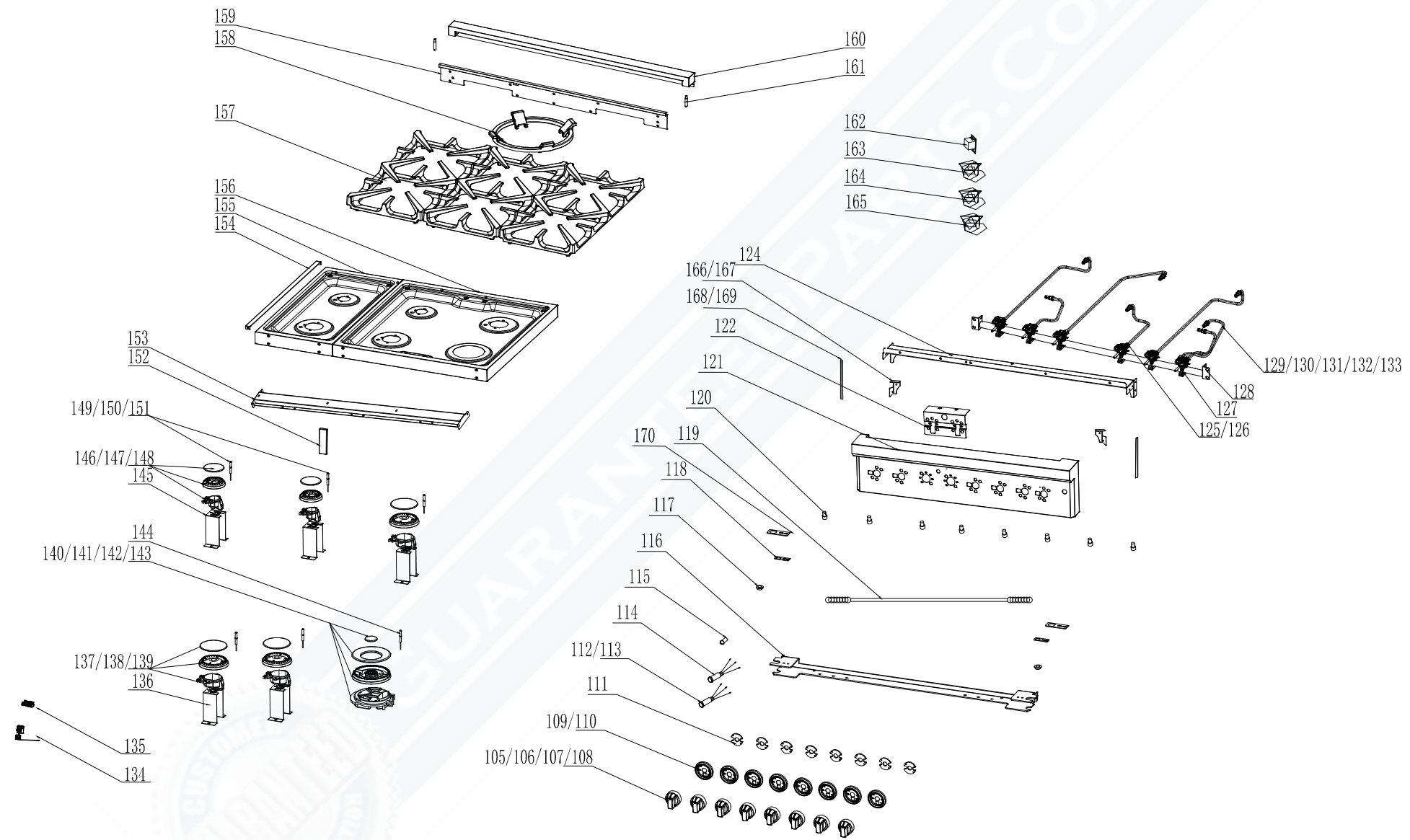
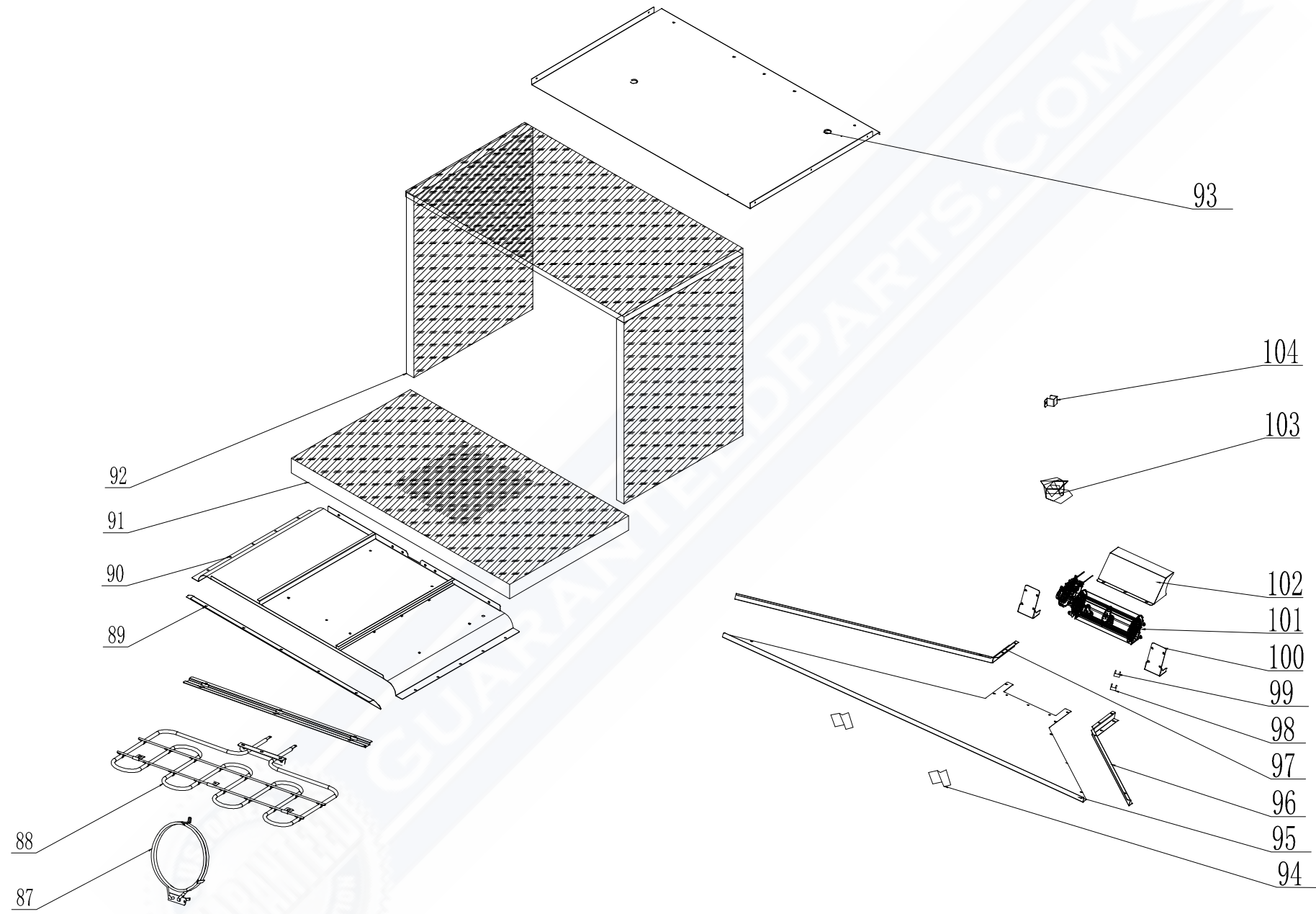


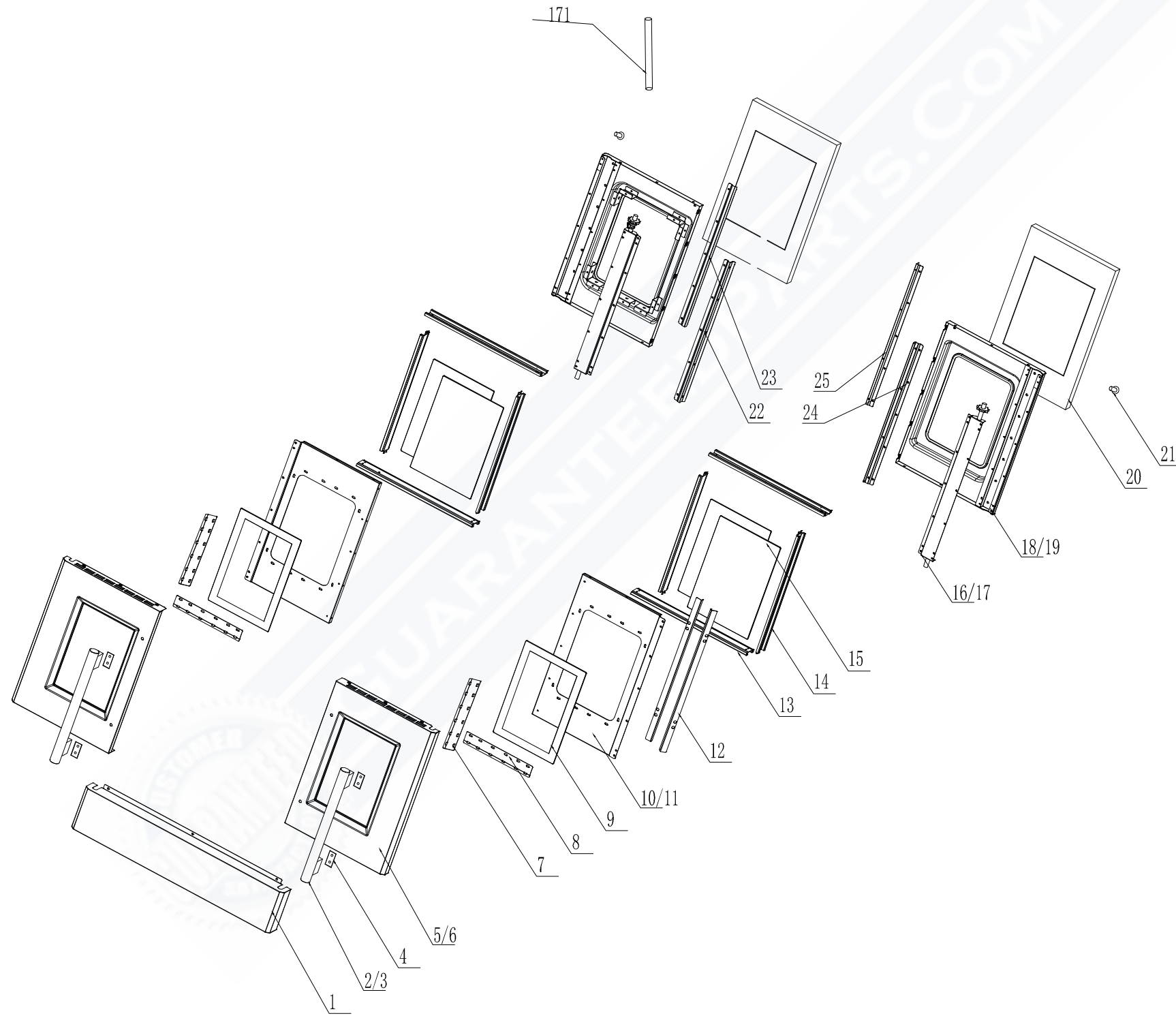
cooktop



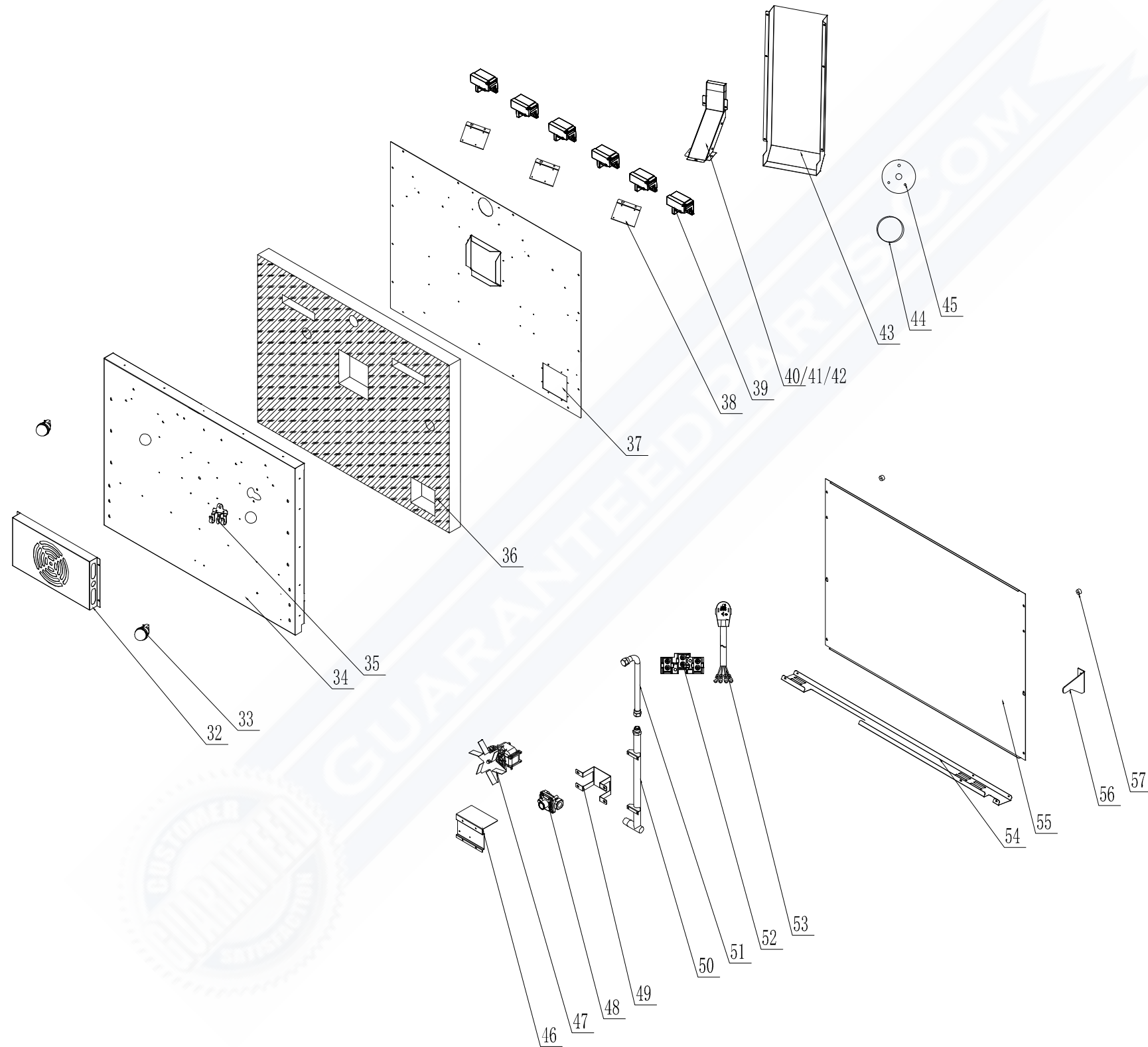
cavity top



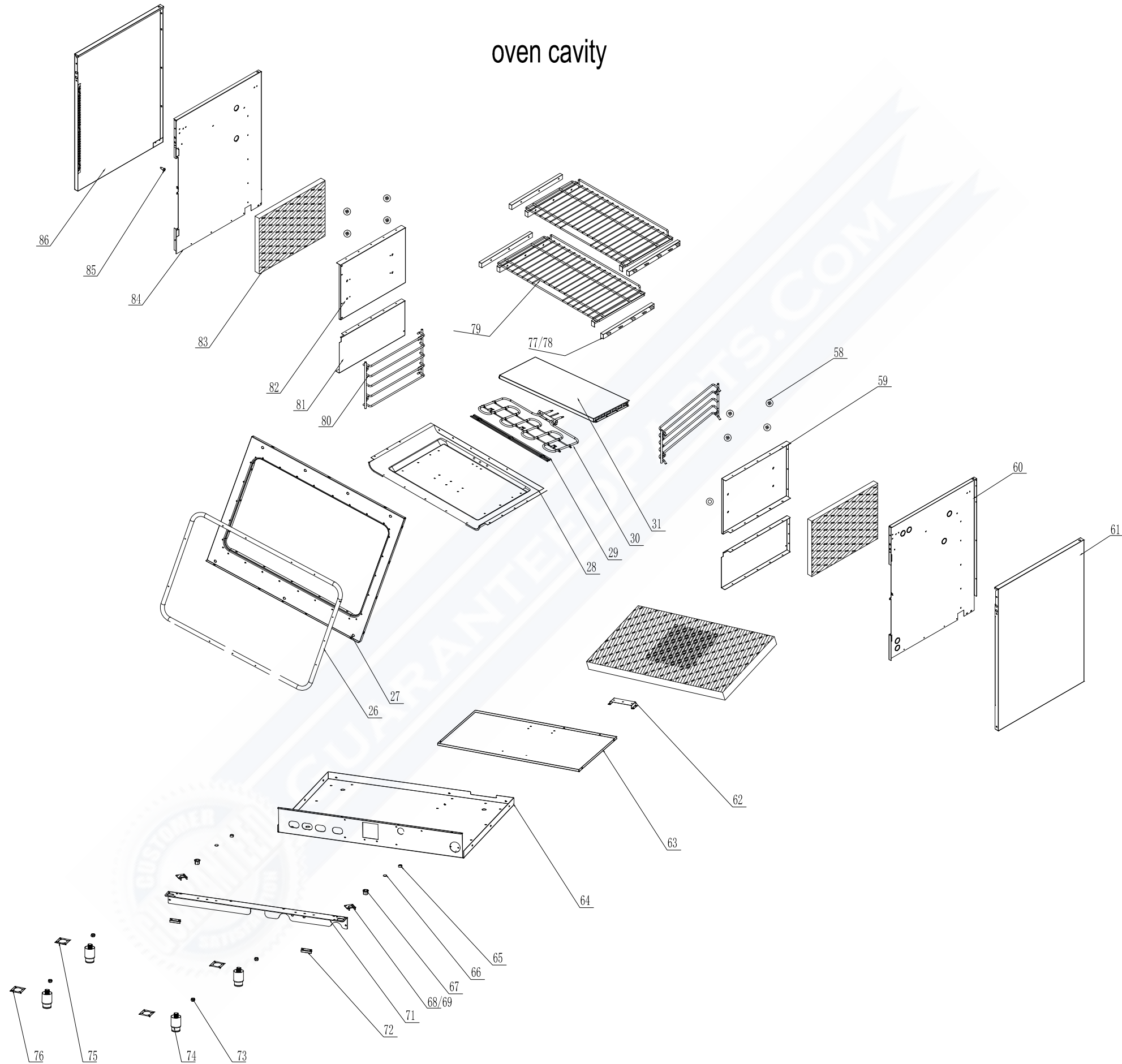
door



cavity back



oven cavity



FFSGS6325-36

No.	Material Name	Material Code	Qty.
1	Drawer panel G36R45	G36R45-120100	1
2	Handle left G18R43	G18R43-101900	1
3	Handle right G18R43	G18R43-101901	1
4	handle rubber mat G18R43	G18R43-100700	4
5	door outside plate-left G36R45	G36R43-100402	1
6	door outside plate-right G36R45	G36R43-100403	1
7	door outer glass black pressing plate G36R43	G36R43-101400-02	4
8	door outer glass black pressing plate G30R45	G30R45-101400-02	4
9	door outer glass G36R43	G36R43-100300	2
10	door insulation plate left G36R43	G36R43-100800	1
11	door insulation plate right G36R43	G36R43-100801	1
12	Handle strengthen bar G36R43	G36R43-100700	2
13	up/down frame body for door inside glass	G36R43-101500	4
14	left/right frame body for door inside glass	G36X03-101600	4
15	inner door glass G36R43	G36R43-100500	4
16	axis of rotation component left	G36R43-101300-Z	1
17	axis of rotation component right	G36R43-101301-Z	1
18	Door frame left G36R43	G36R43-100602-Z	1
19	Door frame right G36R43	G36R43-100603-Z	1
20	glass wool for door G36R43	G36R43-103500	2
21	drawer rubber mat G20A01	G20A01-120900	2
22	seal support for left door G36R44	G36R44-101000	1
23	supported seal part for left door G36R43	G36R43-102000	1
24	seal part for right door G36R43	G36R43-101100	1
25	supported seal part for right door G36R44	G36R44-102100	1
26	door seal bar G36R03	G36R03-071200	1
27	front panel G36R43	G36R43-070100-Z	1
28	cavity down plate C36X03	C36X03-070704-Z	1
29	heat element cushion plate-1 C36X04	C36X04-080600	2
30	36"oven bottom heat element	C36R05-091200	1
31	36"oil baffle plate-X04	C36X04-215102	1
32	fan cover	G20H08-091701	1
33	lamp G36X03	G36X03-180100	2
34	cavity blue enameled back plate C36R05	C36R05-070300	1
35	thermo-sensor fixed board	G20A01-031100	1
36	36" cavity back plate glass wool	G36X03-072900	1
37	36" cavity back insulation plate-DF	C36R05-072200	1
38	ignition support (2) G48R03	G48R03-212300	3
39	ignition 1 to 1	G36R03-170101	6
40	chimney outer plate C36R03	C36R03-074200	1
41	chimney inside plate C36R03	C36R03-074100	1
42	chimney fixed support C36R03	C36R03-074300	3
43	back ventilation part	C30R04-075600	1
44	fan motor glass wool G36X03	G36X03-072800	1
45	fan motor baffle plate-A01 C36A01	C36A01-073100	1
46	safety valve big support G36X03	G36X03-076600	1
47	fan motor-1 G20A01	G20A01-091501	1
48	regulator G36X03	G36X03-034000	1
49	pressure adjustable valve fixed support G36X03	G36X03-034500	1
50	cavity back gas manifold-1 G36X03	G36X03-030801	1
51	3/4" corrugated pipe 170mm G36X03	G36X03-215300	1

52	power cord terminal E20F01	E20F01-106400	1
53	power cord #14 G20A14	G20A14-160100	1
54	bottom fixed plate for baffle plate C36R05	C36R05-072400	1
55	baffle plate-DF C36X03	C36X03-072001	1
56	anti-tip support X01 series G36X01	G36X01-212501	1
57	anti-wall rubber mat G36X03	G36X03-212600	2
58	side rack protect cover G36X03	G36X03-073900	8
59	cavity top right side blue enameled plate	G36X04-070508	1
60	right outside plate inside component	G36R43-071101-Z	1
61	right outside plate G30R45	G30R45-071001	1
62	cavity bottom heat element ground support C36X04	C36X04-080700	1
63	36" drawer insulation plate-X04-DF	C36X04-072100	1
64	bottom plate G36R43	G36R43-071800	1
65	rotate axis coat G48R43	G48R43-002200	2
66	French door gasket	G36R43-002300	2
67	adjustable bottom base	G36R43-002100	2
68	bottom rotate fixed part left G36R43	G36R43-032000-Z	1
69	bottom rotate fixed part right G36R43	G36R43-032001-Z	1
71	door downside connection plate	G36R43-985600-02	1
72	drawer fixed plate G30R45	G30R45-120200	2
73	leg round fixed screw	BZ-0000000912	4
74	oven leg G60R05	G60R05-071500	4
75	back left/right foot fixed part	G48R04-071811	2
76	front left/right foot fixed part	G48R04-071813	2
77	slide rail L X01 series G36X01	G36X01-120700	2
78	slide rail R X01 series G36X01	G36X01-120701	2
79	rack G36R05	G36R05-071902	2
80	side rack X01 series G36X01	G36X01-073800	2
81	cavity downside plate G36X03	G36X03-070400	2
82	48" cavity top left side blue enameled plate	G36X04-070509	1
83	36" cavity top left glass wool	G36X03-073300	2
84	left outside plate inside component	G36R43-071100-Z	1
85	screw for anti-tip step G36X03	G36X03-111000	1
86	left outside plate G30R45	G30R45-071000	1
87	back heat element C20A01	C20A01-091602	1
88	broil heat element (inside+outside) C36R05	C36R05-091000	1
89	36" front panel strip G36X03	G36X03-214500	1
90	36" cavity top plate component-R05 C36R05	C36R05-070600-Z	1
91	36" cavity bottom plate glass wool G36X03	G36X03-036000	2
92	36" cavity structure frame glass wool G36X03	G36X03-070800	1
93	cavity insulation plate C30R43	C36R43-074500	1
94	heat dissipation wind board support	C30R43-075200	2
95	heat dissipation wind board	C36R43-075000	1
96	Right side plate for wind board C36R05	C36R05-075100	1
97	Left side plate for wind board C36R05	C36R05-075200	1
98	Thermo-controller 140°C E24F01	E24F01-076200	1
99	Thermo-controller 50°C C36R05	C36R05-076200	1
100	cooling fan fixed support C36X04	C36X04-075400	2
101	cooling fan C36R05	C36R05-200900	1
102	fan heat insulation cover C36X04	C36X04-075300	1
103	harness C36R45	C36R45-180300	1
104	plastic wire hook	G36R03-160200	4
105	knob for oven temperature setting C36R05	C36R05-030101	1
106	36" knob for oven function-R05 C36R05	C36R05-030105	1
107	knob for single gas outlet G36R04	G36R04-030100	5

108	knob for double gas outlets G36R04	G36R04-030101	1
109	knob ring for thermostat G36R04	G36R04-030201	2
110	knob ring for main gas valve G36R04	G36R04-030202	6
111	knob shining PCB G36R04	G36R04-031000	8
112	Round press button G36R45	G36R45-170200	1
113	LED light switch plug G36X04	G36X04-171000	1
114	Round press button G36R43	G36R43-170200	1
115	red indicator G36X03	G36X03-031000-7	1
116	door top connection plate	G36R43-022300-02	1
117	Copper bush G36R43	G36R43-130100	2
118	pressing plate G36R43	G36R43-057600	2
119	chain with screw component	G36R43-110002	1
120	red LED light G36X04	G36X04-031000-7	8
121	control panel C36R45	C36R45-032300-Z	1
122	cavity thermostat installation support component	C36R44-030500-Z	1
124	cooktop front support G36R43	G36R43-022100	1
125	Cooktop valve 0.62 G48R07	G48R07-030401	2
126	Cooktop valve 0.68 G48R07	G48R07-030403	3
127	Cooktop valve 0.68+0.27 C36R04	C36R04-030400	1
128	control panel main gas pipe C36R45	C36R45-030700	1
129	R/R Al.pipe G36R03	G36R03-020400	2
130	R/F support Al. pipe G36R03	G36R03-020600	2
131	M/F Al. pipe C36R03	C36R03-020300	1
132	M/R Al. pipe C36R03	C36R03-020200	1
133	R/F main Al. pipe G36R03	G36R03-020500	1
134	thermo-control component switch C36R05	C36R05-030900	1
135	switch 5+0 C36R05	C36R05-170800	1
136	burner support-short C36R03	C36R03-170600	2
137	15,000btu burner cup	G36R03-040101	3
138	15,000btu burner base	G36R03-040102	3
139	15,000btu burner cap	G36R03-040103	3
*	15,000btu burner assembly	G36R03-040100	3
140	20,000btu burner cup	G36R03-040301	1
141	20,000BTU brass burner base	G36R03-040302	1
142	20,000btu inner burner cap	G36R03-040203	1
143	20,000btu outer burner cap	G36R03-040204	1
*	20,000BTU brass burner assembly	G36R03-020001	1
144	top burner spark plug 700 G36R04	G36R04-170501	1
145	36"top burner support	G36R03-170600	2
146	9,000btu burner cup	G36R03-040001	2
147	9,000btu burner base	G36R03-040002	2
148	9,000btu burner cap	G36R03-040003	2
*	9,000btu burner assembly	G36R03-040000	2
149	top burner spark plug 380mm G36R03	G36R03-170500	2
150	top burner spark plug 660mm G36R03	G36R03-170501	3
151	spark plug clamp	G20A01-170600	5
152	rear beam support	C36X03-022200	1
153	36" cooktop back support	G36X03-022000	1
154	36" cooktop plate decoration strip	G36X03-025000	1
155	36" cooktop plate 12"-1	G12R03-020100	1
156	36" cooktop plate 24" -1	G24R03-020100	1
157	36"cast iron grates-R04	G36R04-021400	3
158	pan support G48R03	G48R03-021400	1
159	36"cooktop back connection plate	G36R04-073600	1
160	36" backsplash component	G36R04-011500-Z	1
161	backsplash bolt G36X03	G36X03-110800	2

162	LED light transformer G36R04	G36R04-180305	1
163	wires for LED light transformer G36R45	G36R45-180301	1
164	wires for LED light-R05 C36R05	C36R05-180302	1
165	wires for knob LED light	C36R45-180303	1
166	control panel top support left	G30R43-071500	1
167	control panel top support right	G30R43-071501	1
168	cooktop front support part G36R43 left	G30R44-022200	1
169	cooktop front support part G36R43 right	G30R44-022201	1
170	pressing plate for copper bush	G30R43-057600	2
171	door seal bar G36R43	G36R43-071200	1
	door outside glass L shape fixed part	G36R03-101300	4
	door outside glass straight fixed part	G36R03-101200	8
	Rotary gasket	G36R43-002400	2
	flat gasket	BZ-0000001606	8
	plastic rivets	G36R03-232902	16
	griddle + air fry kits		
	LP 20,000BTU burner center nozzle 0.46	G20A01-021235	1
	LP 20,000BTU burner outer nozzle 0.9	G20A01-021203	2
	LP 9,000BTU burner nozzle 0.93	G20A01-021222	2
	LP broil nozzle 0.94	G20A01-021236	1
	LP 15,000BTU nozzle 1.18	G20A01-021237	3
	LP oven burner nozzle 1.39	G18X03-021207	1
	Flame adjustment screwdriver	Flame adjustment screwdriver	1

GUARANTEED

